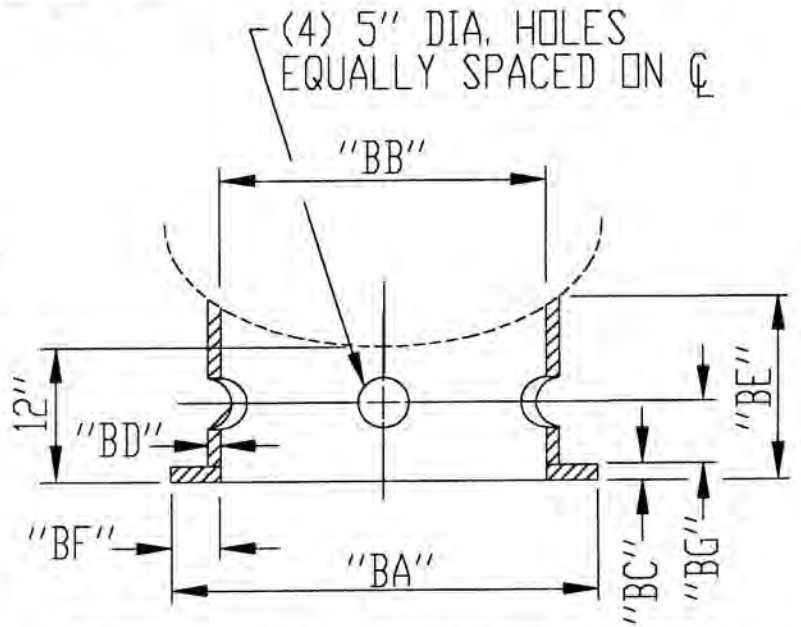
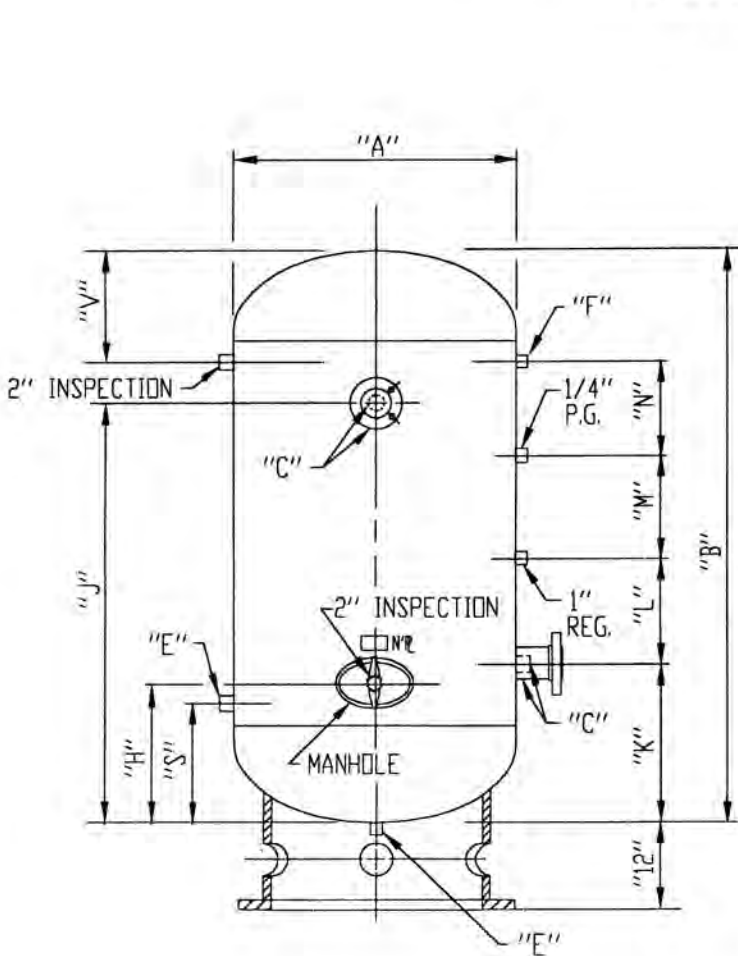


ADAMSON STANDARD 125 PSI AIR RECEIVER



BASE DIMENSIONS									
TYPE	TANK	BA	BB	BC	BD	BE	BF	BG	
M- 3	18"	14"	10"	3/8"	1/4"	12 3/8"	2"	6"	
M- 4	24"	18"	14"	3/8"	1/4"	12 7/16"	2"	6"	
M- 5	30"	24"	20"	3/8"	1/4"	13 1/2"	2"	6"	
M- 6	36"	24"	20"	3/8"	1/4"	13 7/8"	2"	6"	
M- 7	42"	30"	24"	1/2"	3/8"	13 1/4"	3"	6 1/2"	
M- 8	48"	36"	30"	1/2"	3/8"	14"	3"	7"	
M- 9	54"	42"	36"	1/2"	3/8"	14 7/8"	3"	7"	
M-10	60"	48"	42"	5/8"	1/2"	15 1/16"	3"	7"	
M-11	66"	48"	42"	5/8"	1/2"	15 7/8"	3"	7"	

SIZE AND CAPACITY CHART

No. Of Rec.	Size	A	B	C	Type of Conn.	Cap.	Max Comp. Cap. at 115 Psig (SCFM)	E	F	No. Saf. Val.	H	J	K	L	M	N	S	U *	V
		O.D.	Length	Inlet Outlet		Cu. Ft. Act.		Drain	S.V.										
M-3	18"x6'-0"	18"	6'-0"	3"	SCR'D	9.5	84	3/4"	1/2"	1	9	62	14	15 1/2	19	15	9		9
M-4	24"x6'-0"	24"	6'-0"	3"	SCR'D	17.5	153	1"	3/4"	1	12	58	16	13 1/2	15	16	11		12
M-5	30"x7'-0"	30"	7'-0"	4"	SCR'D	31.5	277	1"	3/4"	1	14	70	18	23	14	16	12		14
M-6	36"x8'-0"	36"	8'-0"	4"	SCR'D	52	457	1"	1"	1	14	78	21	30	14	16	12		14
M-7	42"x10'-0"	42"	10'-0"	6"	FLG'D	88	780	1"	1 1/4"	1	33	100	24	42	18	21	16	8 7/8	
M-8	48"x12'-0"	48"	12'-0"	8"	FLG'D	140	1233	1"	2"	1	33	123	30	51	24	21	18	8 7/8	
M-9	54"x14'-0"	54"	14'-0"	10"	FLG'D	207	1824	1 1/4"	2"	1	33	138	36	32	42	36	19	12-1	
M-10	60"x16'-0"	60"	16'-0"	12"	FLG'D	293	2581	1 1/4"	2"	2	33	135	42	30	48	48	33	12-1	
M-11	66"x18'-0"	66"	18'-0"	14"	FLG'D	406	3581	1 1/4"	2"	2	33	180	42	30	96	24	33	12-1 7/8	

GENERAL NOTES

- 1) ALL THREADED OPENINGS SHALL BE CLOSED WITH PROTECTIVE BUNGS.
 - 2) ALL FLANGED NOZZLES WILL HAVE BOLT HOLES STRADDING CENTER LINES AND PROTECTIVE COVERS.
 - 3) CONSTRUCTION: A.S.M.E. SECT. VIII--INSPECTED & STAMPED
 - 4) DESIGN TEMPERATURE: 450°F. (HIGHER UPON REQUEST)
 - 5) PAINT: EXTERIOR -- (1) CT. BLACK ENAMEL
INTERIOR -- (1) CT. BLACK ENAMEL
(42" DIA. TANKS & LARGER)
 - 6) TWO (2)-4" HIGH SADDLES FURNISHED FOR HORIZONTAL MOUNTING--SHIPPED LOOSE.
 - 7) MATERIALS OF CONSTRUCTION--CARBON, STAINLESS STEEL, & OTHERS
 - 8) SPECIAL EXTERIOR COATINGS --AS SPECIFIED
 - 9) CUSTOM DESIGNS AVAILABLE -- AS SPECIFIED
 - 10) RECEIVERS 36" AND LESS IN DIAMETER WILL BE FITTED WITH TWO (2) INSPECTION PORTS, EACH 2" IN SIZE. RECEIVERS 42" IN DIAMETER AND OVER WILL BE FURNISHED WITH ONE 12" X 16" MANHOLE.
 - 11) ALL CONNECTIONS ARE NPT COUPLINGS, EXCEPT THOSE MARKED FLG'D, WHICH ARE ANSI FLANGES, WITH 6" PROJECTION.
 - 12) ASME REQUIREMENTS STATE THAT IF THE OPENING IS GREATER THAN 3" AND THE WORKING PRESSURE IS GREATER THAN 125 PSI, THE OPENING MUST BE A FLANGED NOZZLE.
- * U - N^o. & SIZE OF HOLES FOR "C" FLANGE