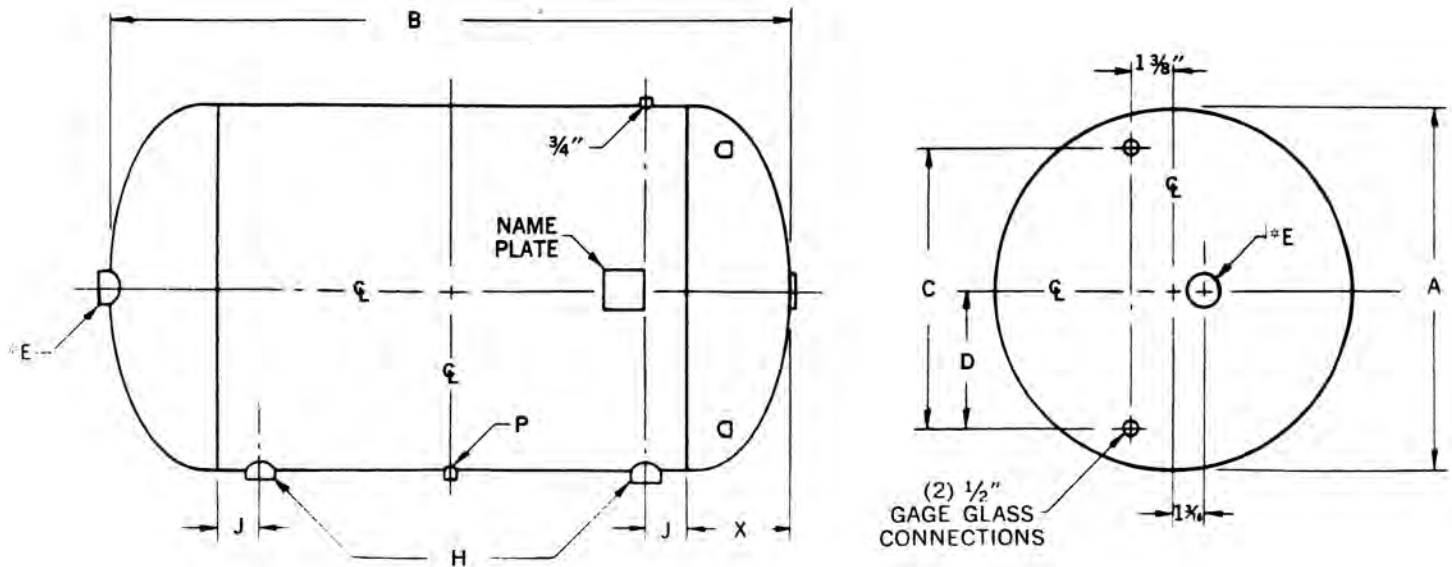


A.S.M.E. Steel Expansion . . .

Compression Tank Specifications



GAL.	A In.	B In.	C In.	D In.	E * Pipe Size	H Pipe Size	P Pipe Size	J In.	X In. Approx.	APPROX. WGT.	
										Painted	Galv.
15	12	33	8	4	—	1		4	4 1/4	43 lb.	47 lb.
24	12	51	8	4	—	1		4	4 1/4	62	68
30	14	48	10	5	—	1 1/2		4	4 3/4	68	75
40	14	63	10	5	—	1 1/2		4	4 3/4	85	95
60	16	72	12	6	—	1 1/2		4	5 1/4	126	139
80	20	63	16	8	2	1 1/2	3/4	4	6 1/4	170	187
100	20	78	16	8	2	1 1/2	3/4	4	6 1/4	202	222
120	24	65	20	10	2	1 1/2	3/4	4	7 1/4	225	248
135	24	72	20	10	2	1 1/2	3/4	4	7 1/4	243	267
184	30	60	26	13	2	1 1/2	3/4	4	9 1/4	370	407
220	30	72	26	13	2	1 1/2	3/4	4	9 1/4	430	473
257	30	84	26	13	2	1 1/2	3/4	4	9 1/4	491	540
317	36	72	32	16	2	1 1/2	3/4	4	10 3/4	524	575
370	36	84	32	16	2	1 1/2	3/4	4	10 3/4	596	656
423	36	96	32	16	2	1 1/2	3/4	4	10 3/4	669	735